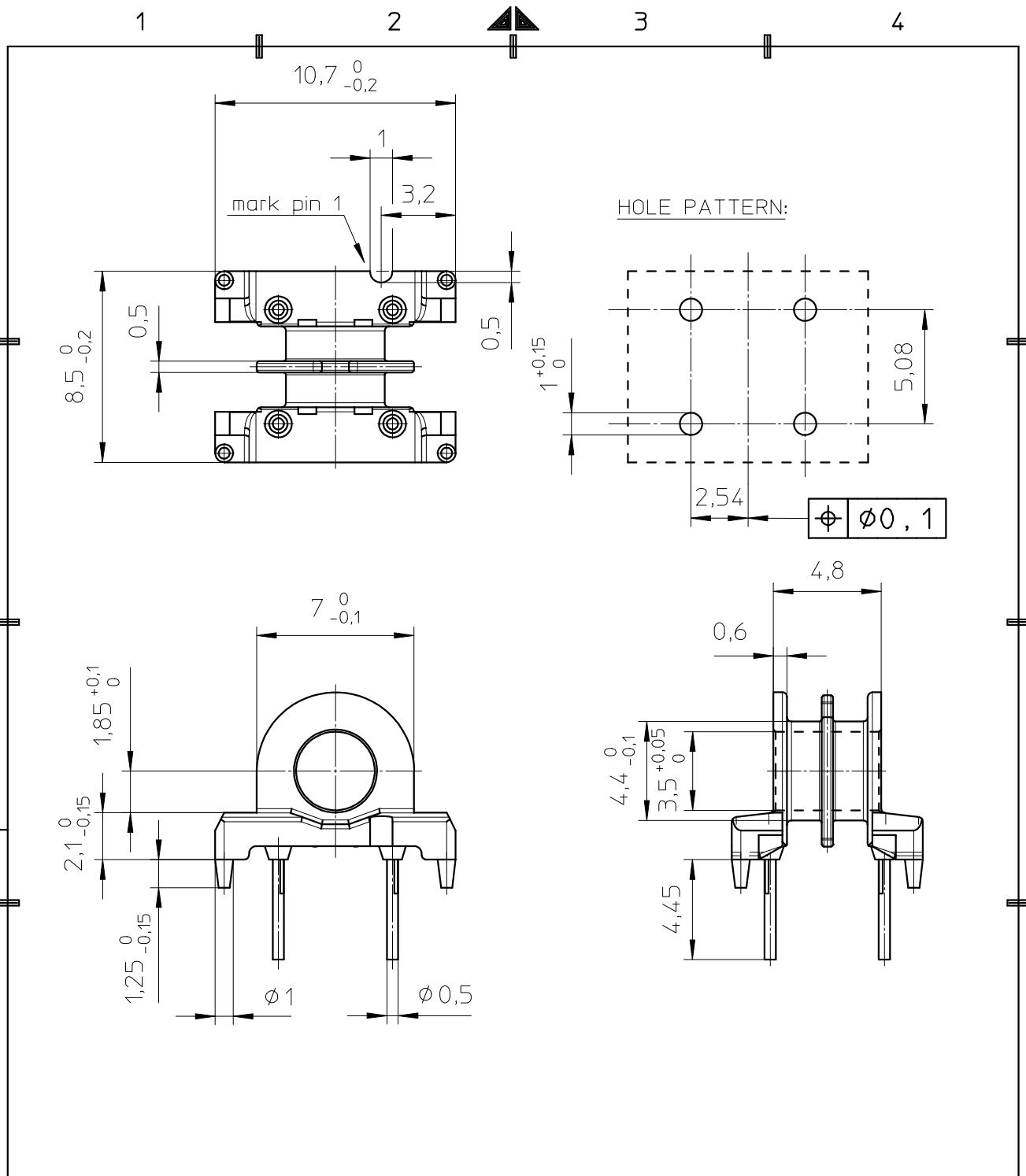
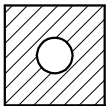
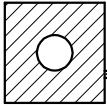


FERROXCUBE



Coil former material: Sumikon PM9630 (PF), glass-reinforced.
 UL file number: E41429(M) - UL94V-0.

Pin material: Copper-clad steel, Sn plated.

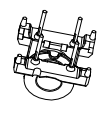
Max. operating temp.: acc. to IEC 60 085 class H, 180°C.

Resistance to soldering heat: acc. to IEC 60 068-2-20 Part 2, Test Tb, method 1B, 350°C-3,5s

Solderability: acc. to IEC 60 068-2-20 Part 2, Test Ta, method 1, 235°C-2s

Min. winding area: 3,8 mm².

Mean length of turn: 17,7 mm.



CLASS.NO.		CSH-EP7-2S-4P-TA	4322 021 03381		1999-06-08	
99-12-09					1999-09-06	
					1999-12-09	
					2005-03-11	
NAME NAAM	M.Veekens	SUPERS. VERV.	1 SH BL	112 - 001	010	A4
MPA	CHECK CONTR.	DAT.	99-06-08	Property of Eigendom van		© FERROXCUBE 2000