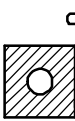


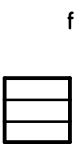


c

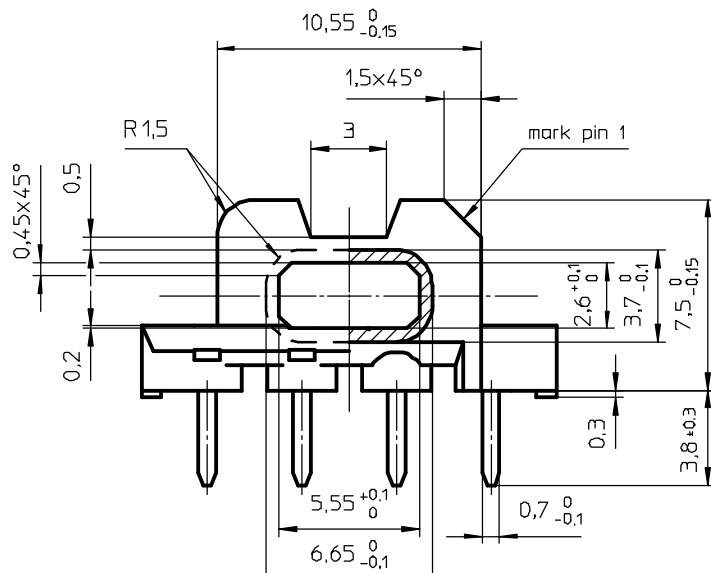
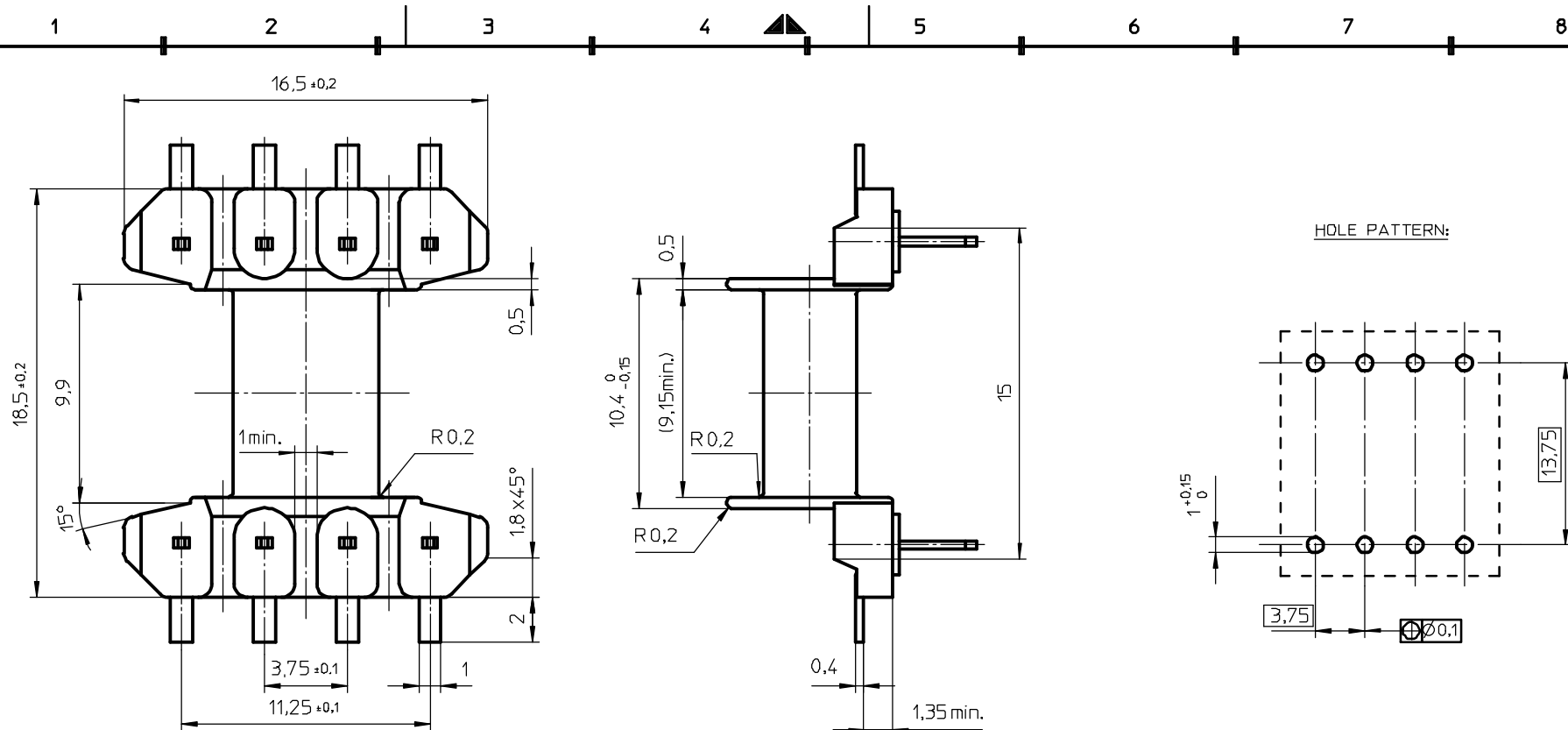


d

e



f



Coil former material: Sumikasuper (LCP), glass-reinforced.
 UL file number: E54705 - UL94V-0.
 Pin material: CuSn - Ni flash, Sn plated.
 Max. operating temp.: acc. to IEC 60085 class F, 155°C.
 Resistance to soldering heat: acc. to IEC 60068-2-20 Part 2, Test Tb, method 1B, 350°C - 3,5sec.
 Solderability: acc. to IEC 60068-2-20 Part 2, Test Ta, method 1, 235°C - 2sec.
 Min. winding area: 16,7 mm.
 Mean length of turn: 25,6 mm.²

CLASS NO.		03-02-25	
CPH-EFD15-1S-8PD-Z		4322 021 06201	
NAME: M.Veekens	SUPERS. VERV.:	001	SP. BL. 112 - 001
MPA	CHECK CONTR. DAT.:	03-02-25	069
Property of Eigenaard van		© FERROXCUBE 2000	
			A3